

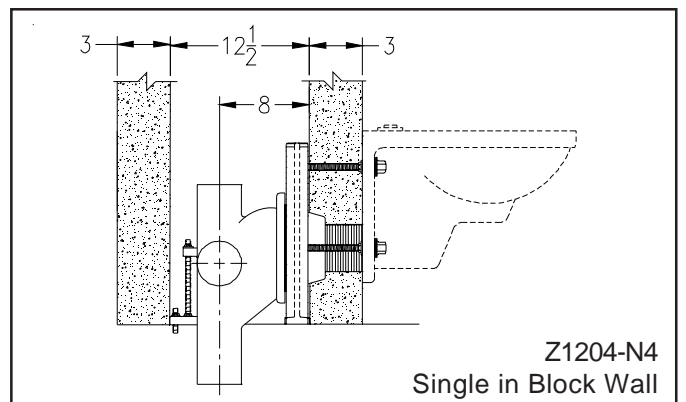
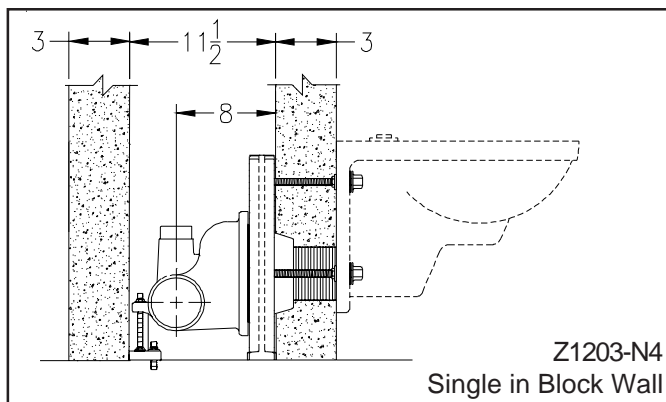
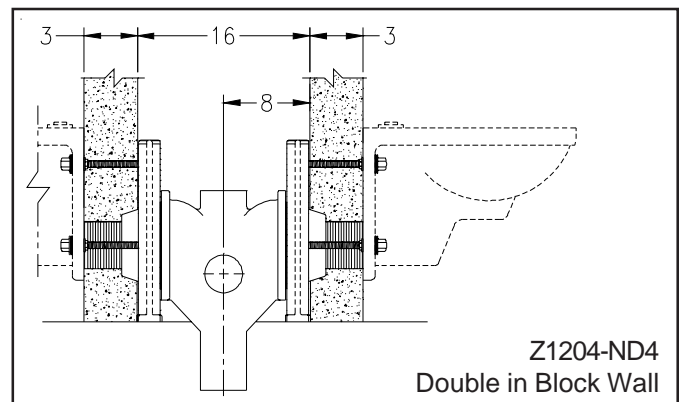
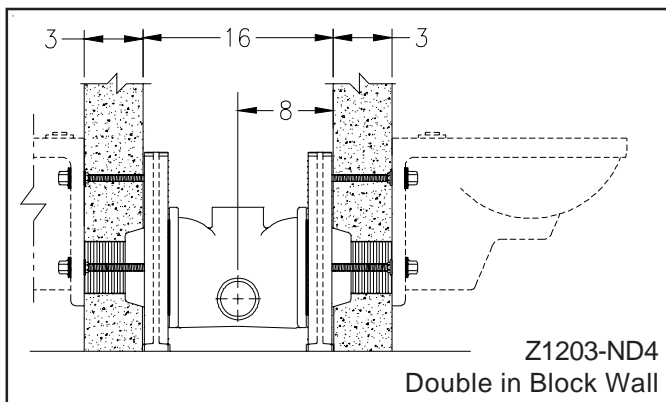
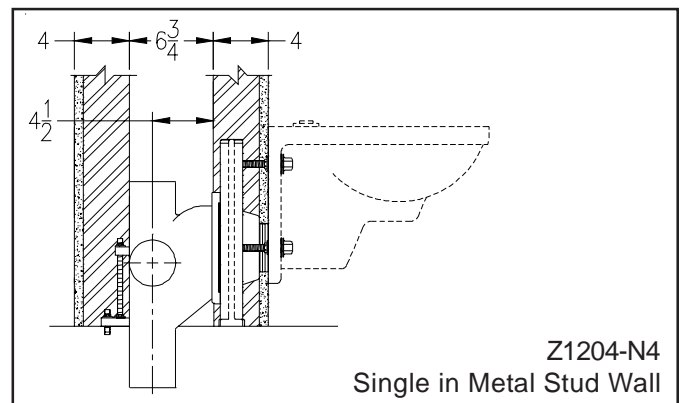
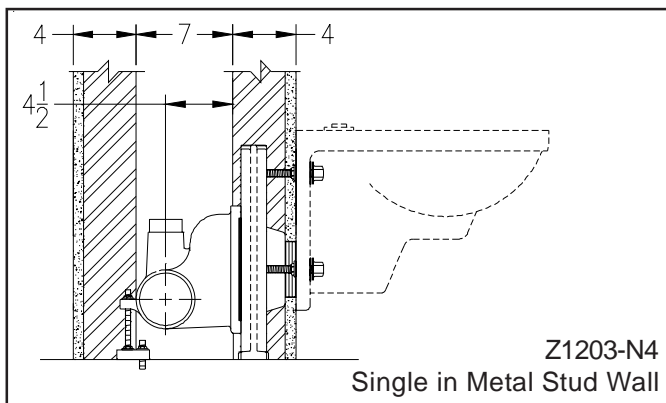
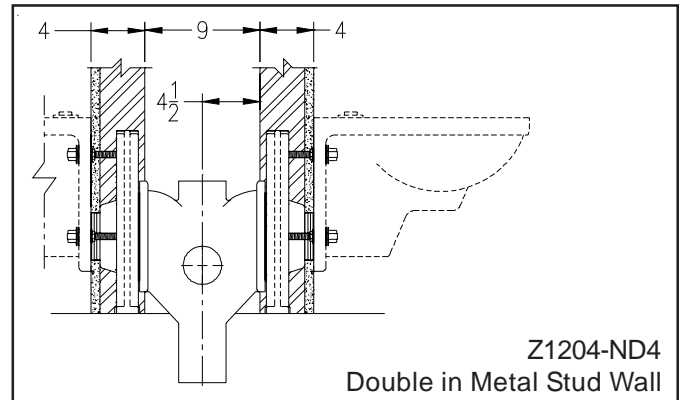
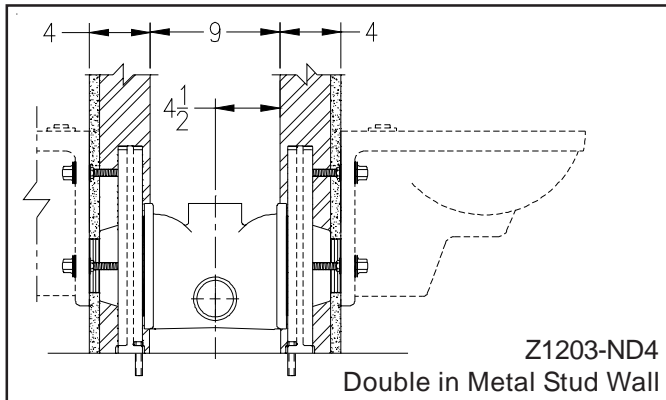


Minimum Chase Requirements for Standard[®] Wall Installation

Dimensional Data in inches is Subject to Manufacturing Tolerances and Change Without Notice

Horizontal Adjustable Carriers

Vertical Adjustable Carriers



Form # C10

Date: 9/22/11

C.N. No. 122183

Rev. G

Page 1 of 3

ZURN INDUSTRIES, LLC. ♦ SPECIFICATION DRAINAGE OPERATION ♦ 1801 Pittsburgh Ave. ♦ Erie, PA 16514

Phone: 814455-0921 ♦ Fax: 814454-7929 ♦ World Wide Web: www.zurn.com

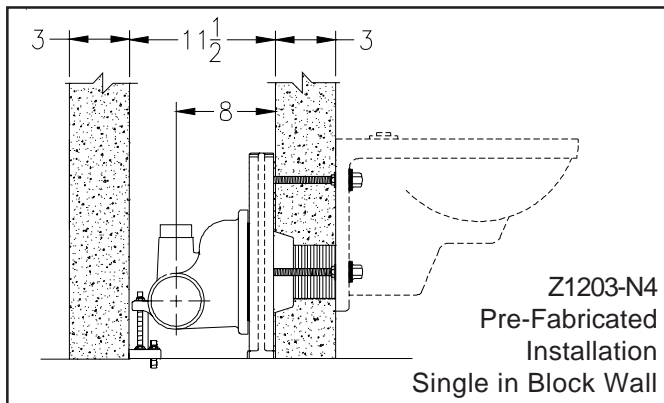
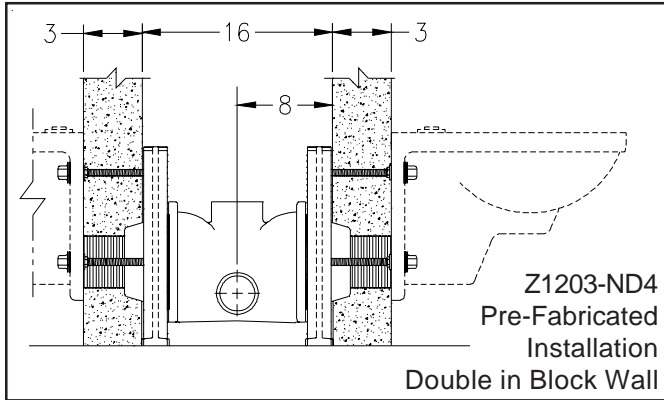
In Canada: ZURN INDUSTRIES LIMITED ♦ 3544 Nashua Drive ♦ Mississauga, Ontario L4V1L2 ♦ Phone: 905405-8272 Fax: 905405-1292



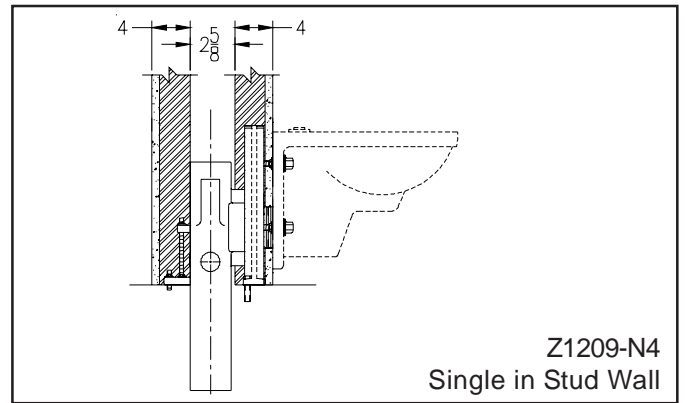
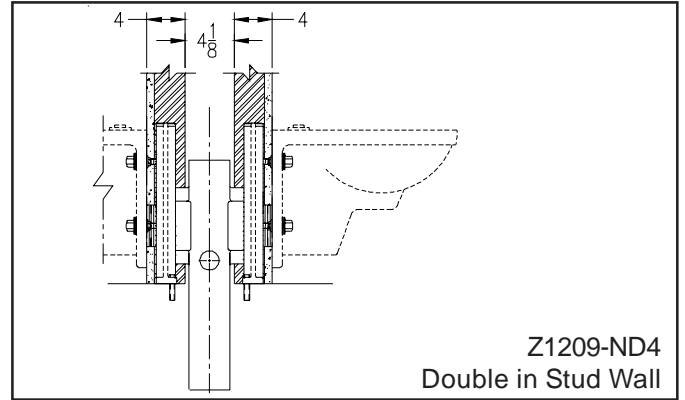
Minimum Chase Requirements for Standard Wall Installation

Dimensional Data in inches is Subject to Manufacturing Tolerances and Change Without Notice

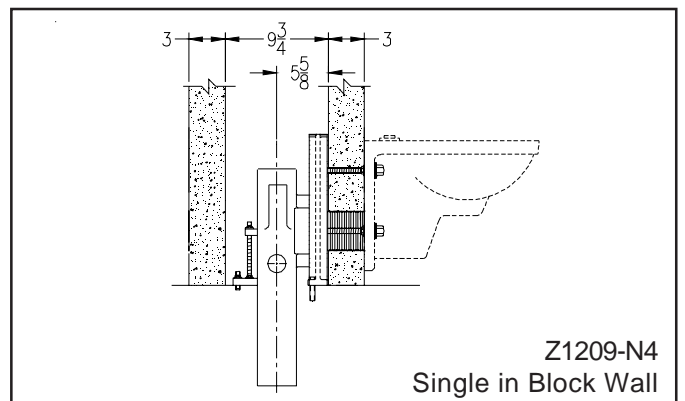
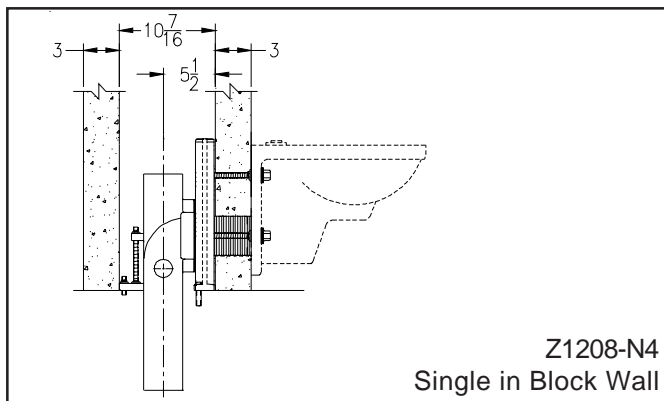
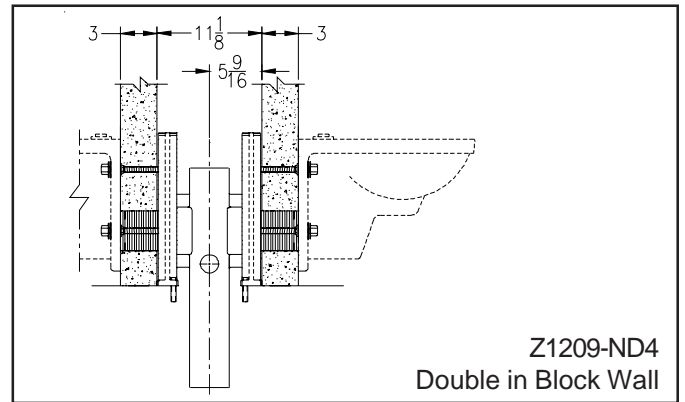
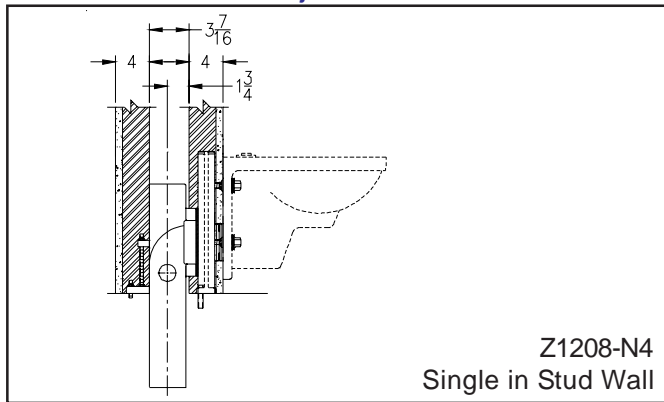
Horizontal Adjustable Carriers



Vertical Fixed Carriers



Vertical Adjustable Carriers

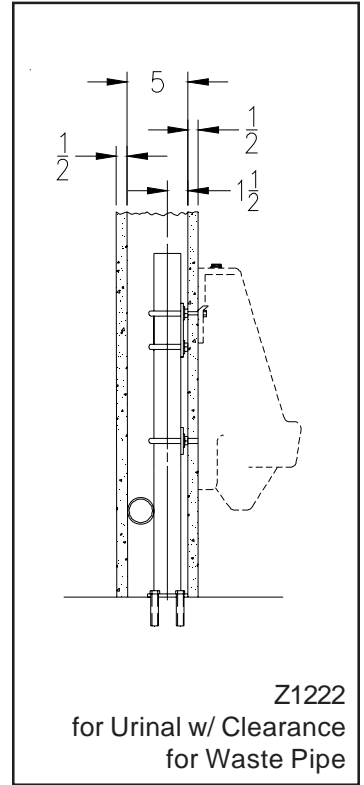
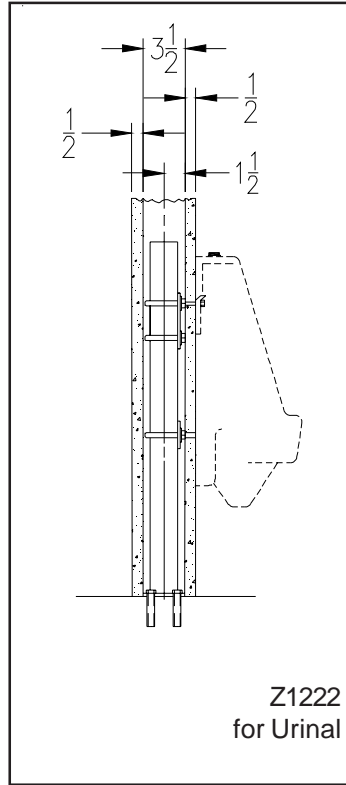
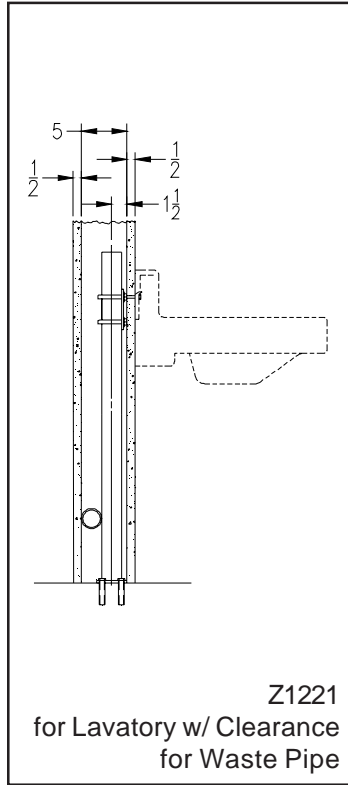
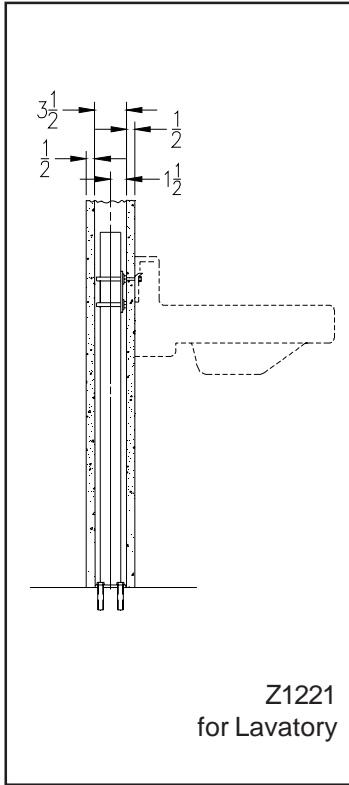




Minimum Chase Requirements for Standard Wall Installation

Dimensional Data in inches is Subject to Manufacturing Tolerances and Change Without Notice

Hanger Plate Carriers



Arm Lavatory Carriers

