



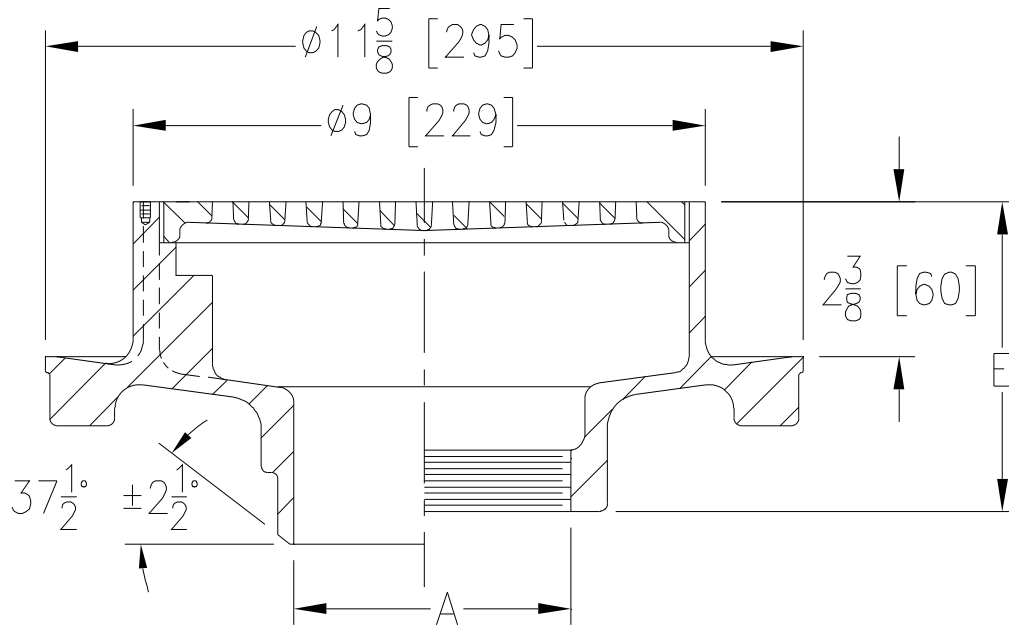
# Z1731

## 9 [229] DIAMETER FLOOR DRAIN MEDIUM DEPTH

SPECIFICATION SHEET

TAG \_\_\_\_\_

Dimensional Data (inches and [ mm ]) are Subject to Manufacturing Tolerances and Change Without Notice



A Pipe Size	Approx. Wt. Lbs. [kg]	Grate Open Area Sq. In. [cm <sup>2</sup> ]
2-3-4 [51-76-102]	22 [10]	21 [135]

**ENGINEERING SPECIFICATION: ZURN Z1731**  
9 [229] Diameter All Type 304 (CF8) stainless steel heavy-duty floor drain with integral anchor flange, and loose-set grate with plain finish.

**OPTIONS** (Check/specify appropriate options)

**PIPE SIZE**

2-3-4 [51-76-102]

2-3-4 [51-76-102]

2-3-4 [51-76-102]

2-3-4 [51-76-102]

(Specify size/type) **OUTLET**

- \_\_\_ BW Butt-weld  
(Specify Schedule 10, 40 or 80)
- \_\_\_ NH No-Hub
- \_\_\_ IC Inside Caulk
- \_\_\_ IP Threaded

**'E' BODY HT. DIM.**

- 5-11/16 [144]
- 5-11/16 [144]
- 5-11/16 [144]
- 5-11/16 [144]

**PREFIXES**

- \_\_\_ Z Type 304 (CF8) Stainless Steel Body\*
- \_\_\_ ZM Type 316 (CF8M) Stainless Steel Body

**SUFFIXES**

- \_\_\_ -K Seepage Holes Only
- \_\_\_ -KC Clamp Collar with Seepage Holes
- \_\_\_ -SC Solid Secured Cover
- \_\_\_ -SF Satin Finish Top
- \_\_\_ -TS Top Secured with Slotted Screws
- \_\_\_ -VP Vandal-Proof Secured Top
- \_\_\_ -Y Sediment Bucket
- \_\_\_ -YM Fabricated Mesh Bucket
- \_\_\_ -30 Bronze Closure Plug
- \_\_\_ -31 Plastic Closure Plug
- \_\_\_ -33 Type 304 Stainless Steel Closure Plug
- \_\_\_ -34 Bronze Closure Plug with 3/4 [19] Test Plug
- \_\_\_ -90 90° Butt-weld Side Outlet (3, 4 Only [76, 102])

\*REGULARLY FURNISHED UNLESS OTHERWISE SPECIFIED

<b>REV. G</b>	<b>DATE: 11/15/10</b>	<b>C.N. NO. 120392</b>
<b>DWG. NO. 59296</b>		<b>PRODUCT NO. Z1731</b>