



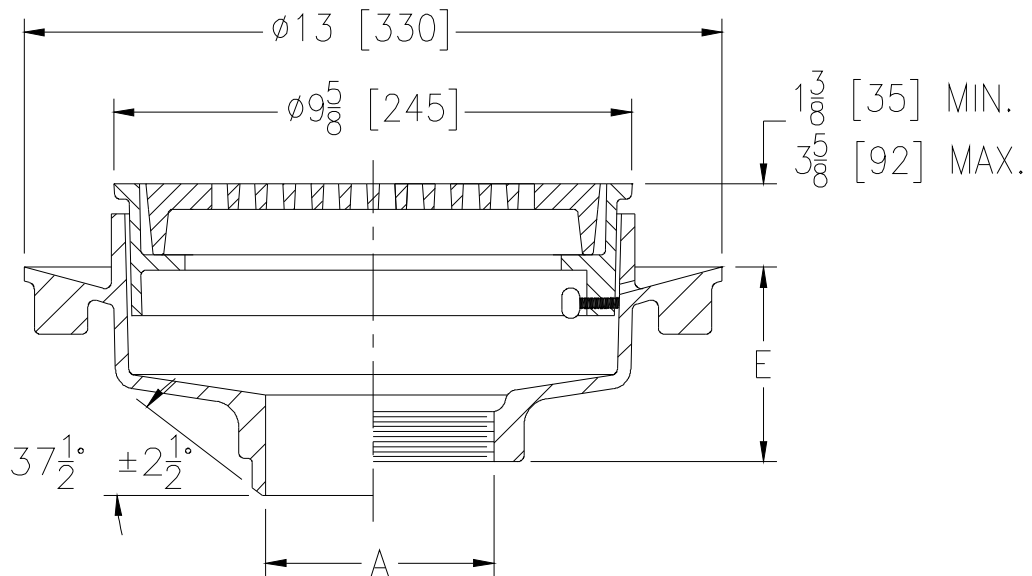
Z1732

HEAVY-DUTY ADJUSTABLE FLOOR DRAIN

SPECIFICATION SHEET

TAG _____

Dimensional Data (inches and [mm]) are Subject to Manufacturing Tolerances and Change Without Notice



A- Pipe Size In.	Approx. Wt. Lbs. [kg]	Grate Open Area Sq. In. [cm ²]
2-3-4-6[51-76-102-152]	40 [18]	14 [90]

ENGINEERING SPECIFICATION: ZURN Z1732

All Type 304 (CF8) stainless steel heavy-duty adjustable floor drain with integral anchor flange, adjustable top frame and deep flange grate with plain finish.

OPTIONS (Check/specify appropriate options)

PIPE SIZE

2-3-4 [51-76-102]

6 [152]

3-4 [51-76]

2-3-4 [51-76-102]

6 [152]

2-3-4 [51-76-102]

6 [152]

(Specify size/type) **OUTLET**

- _____ BW Butt-weld (Specify Schedule 10, 40 or 80)
- _____ BW Butt-weld (Specify Schedule 10, 40 or 80)
- _____ IC Inside Caulk
- _____ NH No-Hub
- _____ NH No-Hub
- _____ IP Threaded
- _____ IP Threaded

'E' BODY HT. DIM.

- 6 [152]
- 6-3/8 [162]
- 6 [152]
- 6 [152]
- 6-3/8 [162]
- 6 [152]
- 6-3/8 [162]

PREFIXES

- _____ Z Type 304 (CF8) Stainless Steel Body*
- _____ ZM Type 316 (CF8M) Stainless Steel Body

SUFFIXES

- _____ -D Dome Grate
- _____ -E Frame Extension Over 3 5/8 [92]
- _____ -K Seepage Holes Only
- _____ -KC Clamp Collar with Seepage Holes
- _____ -P 1/2 [13] Trap Primer Connection
- _____ -SC Solid Secured Cover
- _____ -SF Satin Finish Top
- _____ -TS Top Secured with Slotted Screws
- _____ -VP Vandal-Proof Secured Top
- _____ -Y Sediment Bucket
- _____ -30 Bronze Closure Plug
- _____ -31 Plastic Closure Plug
- _____ -33 Type 304 (CF8) Stainless Steel Closure Plug
- _____ -34 Bronze Closure Plug with 3/4 [19] Test Plug

*REGULARLY FURNISHED UNLESS OTHERWISE SPECIFIED

REV. G	DATE: 11/15/10	C.N. NO. 120394
DWG. NO. 59297	PRODUCT NO. Z1732	