



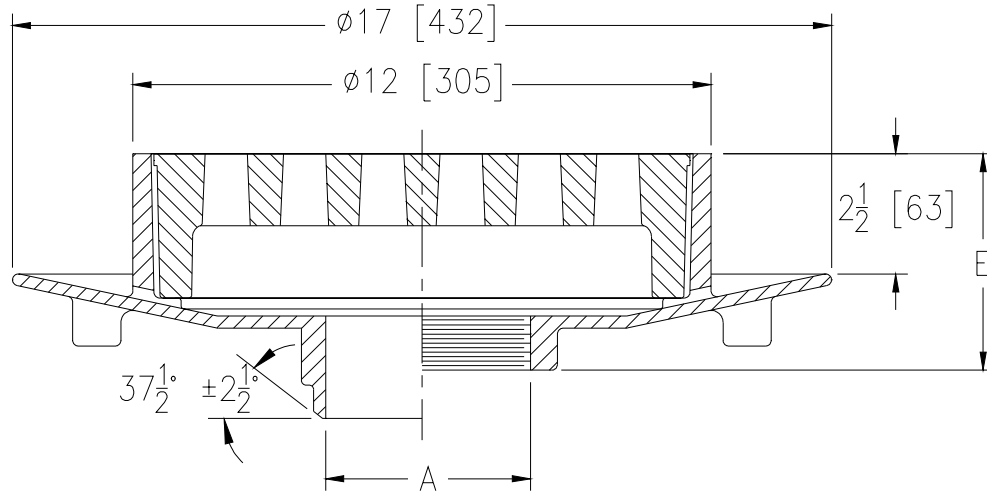
Z1736

12 [305] DIAMETER EXTRA HEAVY DUTY FLOOR DRAIN

SPECIFICATION SHEET

TAG _____

Dimensional Data (inches and [mm]) are Subject to Manufacturing Tolerances and Change Without Notice



A- Pipe Size In.	Approx. Wt. Lbs. [kg]	Grate Open Area Sq. In. [cm ²]
3-4-6 [75-100-150]	61 [28]	31 [200]

ENGINEERING SPECIFICATION: ZURN Z1736 12 [305] Diameter extra heavy duty floor drain, All Type 304 (CF8) stainless steel body with integral anchor flange, and deep flange grate with plain finish.

OPTIONS (Check/specify appropriate options)

PIPE SIZE	(Specify size/type) OUTLET	'E' BODY HT. DIM.
3-4-6[75-100-150]	_____ BW Butt-weld (Specify Schedule 10, 40 or 80)	5 1/2 [140]
3-4-6[75-100-150]	_____ IP Threaded	5 [127]

PREFIXES

- _____ Z Type 304 (CF8) Stainless Steel Body*
- _____ ZC Type A-27 Carbon Steel Body (P.O.A.)
- _____ ZM Type 316 (CF8M) Stainless Steel Body

SUFFIXES

- _____ -K Seepage Holes Only
- _____ -KC Clamp Collar with Seepage Holes
- _____ -SF Satin Finish Top
- _____ -VP Vandal-Proof Secured Top

REV. C	DATE: 11/5/03	C.N. NO. 91613
DWG. NO. 59299	PRODUCT NO. Z1736	

*REGULARLY FURNISHED UNLESS OTHERWISE SPECIFIED