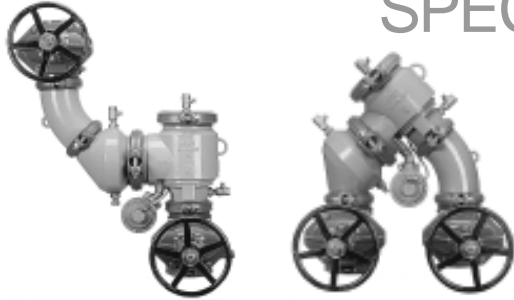


SPECIFICATION SUBMITTAL SHEET



475V

475

FEATURES

Sizes: 4" 6" 8" 10"

Maximum working water pressure 175 PSI
 Maximum working water temperature 140°F
 Hydrostatic test pressure 350 PSI
 End connections (Grooved for steel pipe) AWWA C606-87
 (Flanged) ANSI B16.1
 Class 125

OPTIONS (Suffixes can be combined)

- with NRS shut-off valves (standard)
- FS - with cast iron wye type strainer (flanged only)
- FSC - with epoxy coated wye type strainer (flanged only)
- G - with groove end gate valves
- FG - with flanged inlet gate connection and grooved outlet gate connection
- L - less shut-off valves (grooved body connections)
- MS - with Integral Relief Valve Monitor Switch
- OSY - with OS & Y gate valves
- V - vertical flow up configuration
- BGVIC - with grooved end butterfly valves (see document BF-475&VBGVIC for dimensions and approvals)

ACCESSORIES

- Air gap (see spec sheet BF-AG)
- Repair kit (rubber only)
- Thermal expansion tank (Model WXTP)
- Valve setter (Model FLS or MJS or MJFS)
- Gate valve tamper switch (OSY-40)
- Electronic Solenoid Timer (Model EST)
- QT-SET Quick Test Fitting Set

Relief Valve discharge port:
 2 1/2" - 6" - 2.75 sq. in.
 8" - 10" - 3.69 sq. in.

APPLICATION

Designed for installation on potable water lines to protect against both backsiphonage and backpressure of contaminated water into the potable water supply. Assembly shall provide protection where a potential health hazard exists. The Model 475 is for applications requiring vertical flow up and vertical flow down. The Model 475V is for applications requiring vertical flow up.

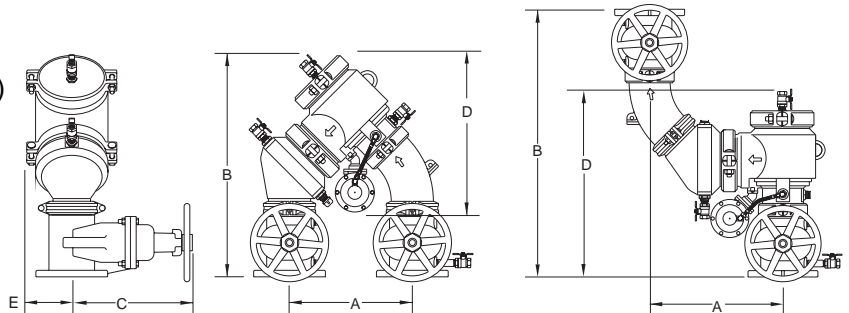
STANDARDS COMPLIANCE

(unless otherwise noted, applies to sizes 4" thru 8")

- ASSE® Listed 1013
- AWWA Compliant C511
- CSA® Certified
- IAPMO® Listed
- UL® Classified (4" thru 10")
- C-UL® Classified (4" thru 10")
- FM® Approved
- Approved by the Foundation for Cross Connection Control and Hydraulic Research at the University of Southern California (4" thru 10")

MATERIALS

Main valve body Ductile Iron ASTM A 536 Grade 4
 Access covers Ductile Iron ASTM A 536 Grade 4
 Coatings FDA Approved fusion epoxy finish
 Internals Stainless steel, 300 Series
 NORYL™, NSF Listed
 Fasteners Stainless Steel, 300 Series
 Elastomers EPDM (FDA approved)
 Buna Nitrile (FDA approved)
 Polymers NORYL™, NSF Listed
 Springs Stainless steel, 300 series

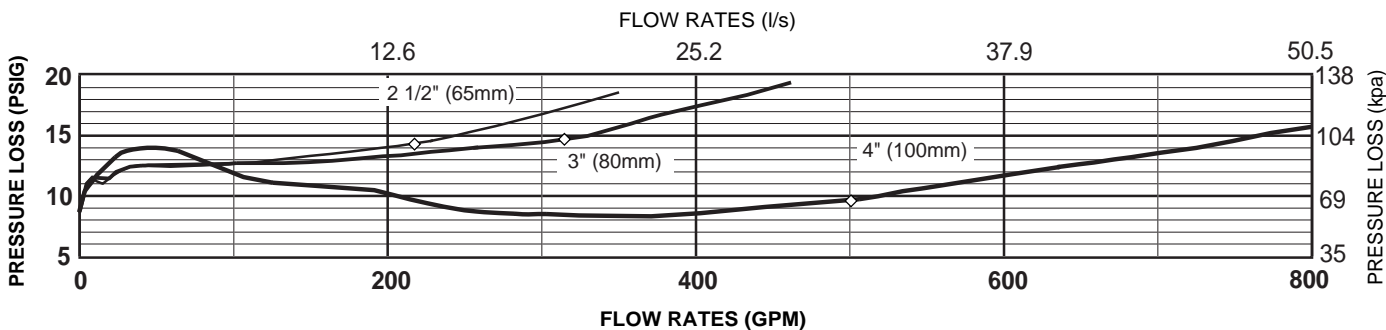


DIMENSIONS & WEIGHTS (do not include pkg.)

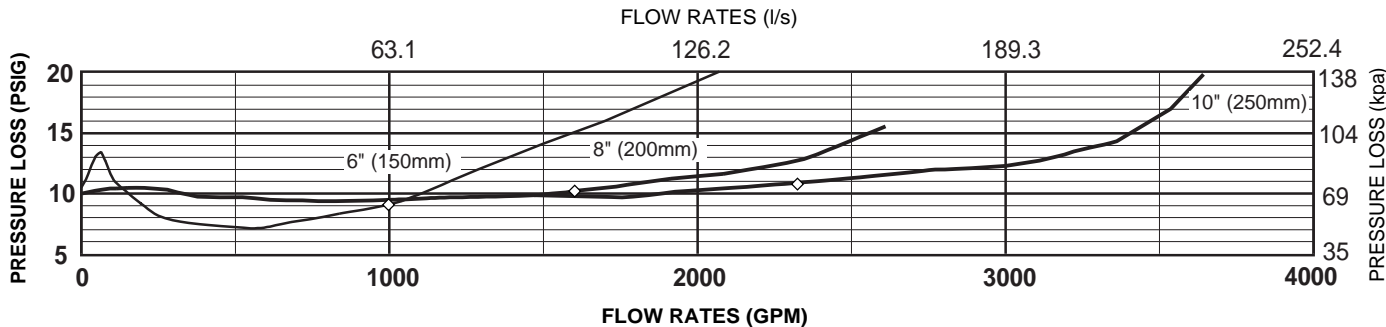
MODEL 475 & 475V SIZE	DIMENSIONS (approximate)														WEIGHT							
	A		B WITH GATE VALVES		B LESS GATE VALVES		C OS&Y OPEN		C OS&Y CLOSED		C NRS GATES		D		E		LESS GATE VALVES		NRS GATE VALVES		OS&Y GATE VALVES	
	in.	mm	in.	mm	in.	mm	in.	mm	in.	mm	in.	mm	in.	mm	in.	mm	lbs.	kg	lbs.	kg	lbs.	kg
4" 475	18 5/16	465	30	762	21	533	22 3/4	578	18 1/4	460	14 3/4	375	23 1/4	591	5	127	97	44	277	126	287	130
475V	18 15/16	481	36 1/2	927	18 1/2	470	22 3/4	578	18 1/4	460	14 3/4	375	21	533	5	127	97	44	277	126	287	130
6" 475	18 11/16	475	35 1/2	902	25	635	30 1/8	765	23 3/4	603	19	483	26	660	6	152	171	78	455	207	471	214
475V	21	533	42	1067	21	533	30 1/8	765	23 3/4	603	19	483	22	559	6	152	171	78	455	204	471	214
8" 475	29	737	46	1168	34 7/16	875	37 3/4	959	29 1/4	743	22 1/2	572	33 1/4	845	10	254	405	184	857	389	881	400
475V	30 5/16	770	53 1/2	1359	30 5/16	770	37 3/4	959	29 1/4	743	22 1/2	572	37 7/8	962	10	254	405	184	857	389	881	400
10" 475	29	737	47 1/2	1207	34 7/16	875	45 3/4	1162	35 3/8	899	26 1/2	673	33 1/4	845	10	254	423	192	1051	477	1097	498
475V	30 5/16	770	56 1/2	1435	30 5/16	770	45 3/4	1162	35 3/8	899	26 1/2	673	39 3/8	1000	10	254	423	192	1051	477	1097	498

FLOW CHARACTERISTICS

MODEL 475 & 475V 2 1/2", 3" & 4" (STANDARD & METRIC)



MODEL 475 & 475V 6", 8" & 10" (STANDARD & METRIC)

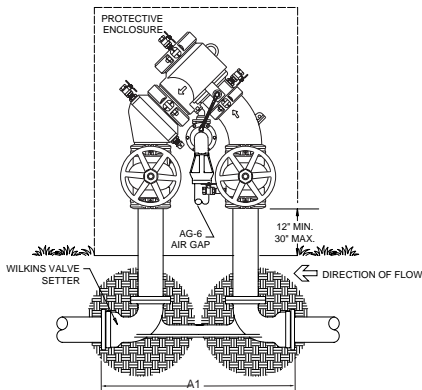


◇ Rated Flow (Established by approval agencies)

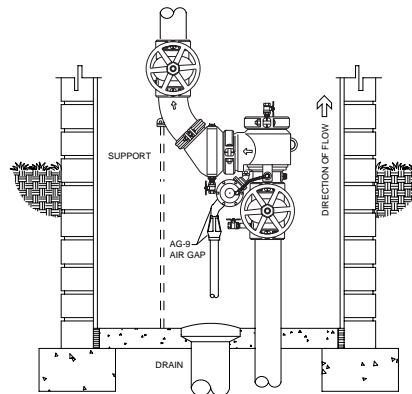
TYPICAL INSTALLATION

Local codes shall govern installation requirements. To be installed in accordance with the manufacturers' instructions and the latest edition of the Uniform Plumbing Code. Unless otherwise specified, the assembly shall be mounted at a minimum of 12" (305mm) and a maximum of 30" (762mm) above adequate drains with sufficient side clearance for testing and maintenance. The installation shall be made so that no part of the unit can be submerged.

Capacity thru Schedule 40 Pipe (GPM)				
Pipe size	5 ft/sec	7.5 ft/sec	10 ft/sec	15 ft/sec
2 1/2"	75	112	149	224
3"	115	173	230	346
4"	198	298	397	595
6"	450	675	900	1351
8"	780	1169	1559	2339
10"	1229	1843	2458	3687



OUTDOOR INSTALLATION



VERTICAL INSTALLATION

SPECIFICATIONS

The Reduced Pressure Principle Backflow Preventer shall be ASSE® Listed 1013, and supplied with full port gate valves. The main body and access covers shall be epoxy coated ductile iron (ASTM A 536 Grade 4), the seat ring and check valve shall be NORYL™, the stem shall be stainless steel (ASTM A 276) and the seat disc elastomers shall be EPDM. Center stem guided design shall incorporate two torsion springs to bias the check in the closed position. The first and second checks shall be accessible for maintenance without removing the relief valve or the entire device from the line. If installed indoors, the installation shall be supplied with an air gap adapter. The Reduced Pressure Principle Backflow Preventer shall be a WILKINS Model 475 or 475V.